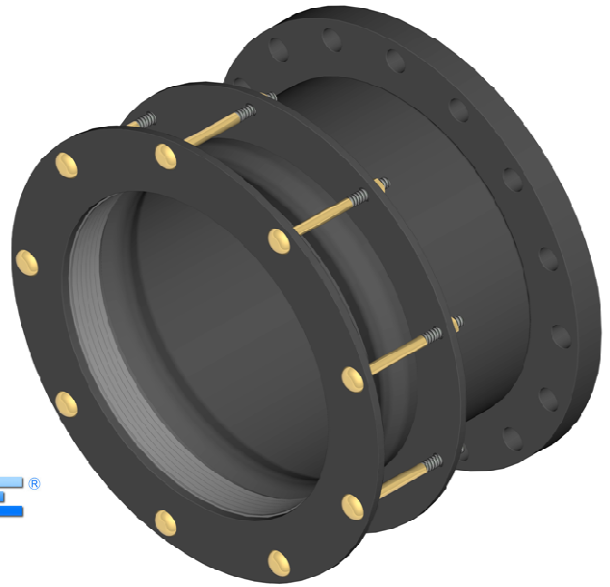
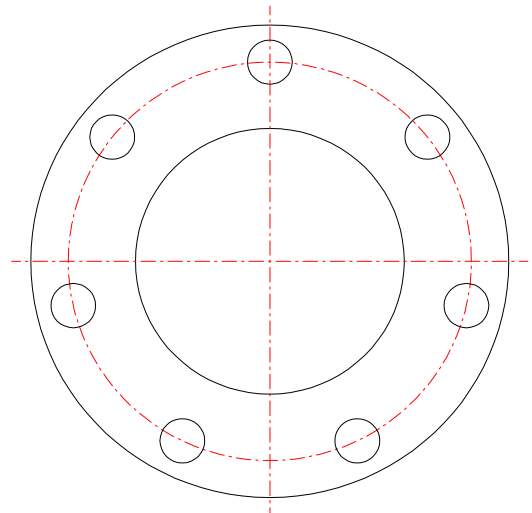
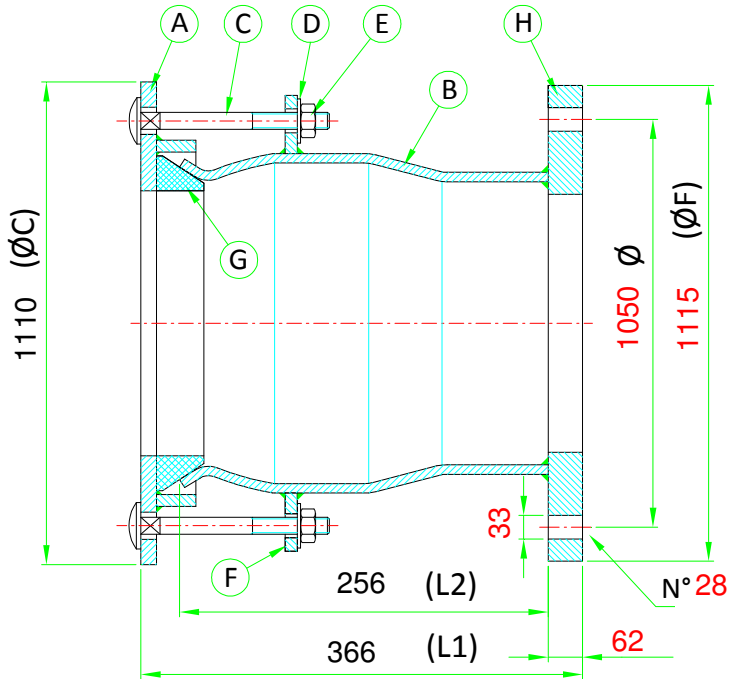


TECHNICAL CARD

LARGESIZE SERIES FLANGE ADAPTOR SUITABLE FOR TIE BARS

Offer:

Code: **LSN40 EX- 900 - 10 - 967**



COUPLING TOLERANCE RANGE	OD MAX	967	DRAWN BY: Actis
	OD MIN	937	
ANTICORROSION COATING	RILSAN NYLON 11 T NOIR 7450 AC		CHECKED BY: Ferrero
NOMINAL PRESSURE:	1.6 MPA (Table UNI 1284)		DATE: 02/04/2012
TEST PRESSURE:	2.5 MPA (Table UNI 1284)		
WORKING PRESSURE:	1.6 MPA (Table UNI 1284)		CODE: LSN40- 900 - 10 - 967

TECHNICAL CARD

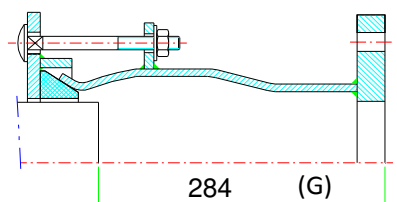
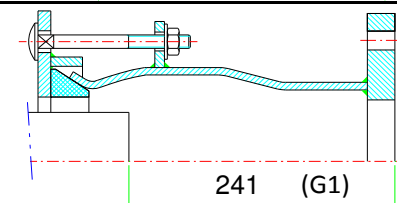
LARGESIZE SERIES FLANGE ADAPTOR SUITABLE FOR TIE BARS

PARTS AND MATERIALS DESCRIPTION

Part	Description	Q.ty	Materials
A	COMPRESSION FOLLOWER	1	S235JR STEEL WITH RILSAN NYLON 11 T NOIR 7450 AC THERMOPLASTIC ANTOCORROSION COATING
B	MAIN FITTING BODY	1	S235JR STEEL WITH RILSAN NYLON 11 T NOIR 7450 AC THERMOPLASTIC ANTOCORROSION COATING
C	MUSHROOM HEAD SQUARE NECK BOLT	20	GRADE 304 STAINLESS STEEL
D	WASHER (UNI 6592)	20	GRADE 304 STAINLESS STEEL
E	MEDIUM HEXAGONAL NUT (UNI 5588-65)	20	GRADE 304 STAINLESS STEEL
F	COMPRESSION RING	1	S235JR STEEL WITH RILSAN NYLON 11 T NOIR 7450 AC THERMOPLASTIC ANTOCORROSION COATING
G	TOROIDAL SEALING GASKET WITH TRUNCATED CONE CROSS SECTION	1	POLYVALENT ELASTOMER FOR POTABLE WATER (EPDM)
H	FLANGE UNI 1092-1:2007	1	S235JR STEEL WITH RILSAN NYLON 11 T NOIR 7450 AC THERMOPLASTIC ANTOCORROSION COATING

Dimensions (mm)				Q.ty	Bolt dimensions			Weight (Kg)
L1	L2	ØC	ØF		Bolts	Nuts	Washers	
366	256	1110	1115	20	M14x150	M14	Ø14	183

Dimensional table of maximum distance between pipes according to outside diameters

COUPLING TOLERANCE RANGE			DISTANCE BETWEEN PIPES		
ØMAX	967	mm	G=	284 mm	
ØMIN	937	mm	G1=	241 mm	

"MULTISIZE" - "LARGESIZE" SERIES COUPLINGS DO NOT RESTRAIN AXIAL PIPE MOVEMENT (PLEASE REFER TO THE SERIES PIPE-LOCKING OR MULTIGRIP)

THE TECHNICAL DRAWING IS FOR ILLUSTRATION PURPOSES ONLY AND IS SUBJECT TO CHANGES DURING THE DESIGN STAGE ACCORDING TO TECHNICAL REQUIREMENTS.

SEALING RINGS AND RILSAN NYLON 11 THERMOPLASTIC ANTICORROSION COATING IS SUITABLE FOR CONTACT WITH POTABLE WATER ACCORDING TO LAWS OF ITALIAN MINISTRY OF HEALTH (D.M. 176 del 06 Aprile 2004) AND WITH GAS (Rif. D.M. 24 novembre 1984).

