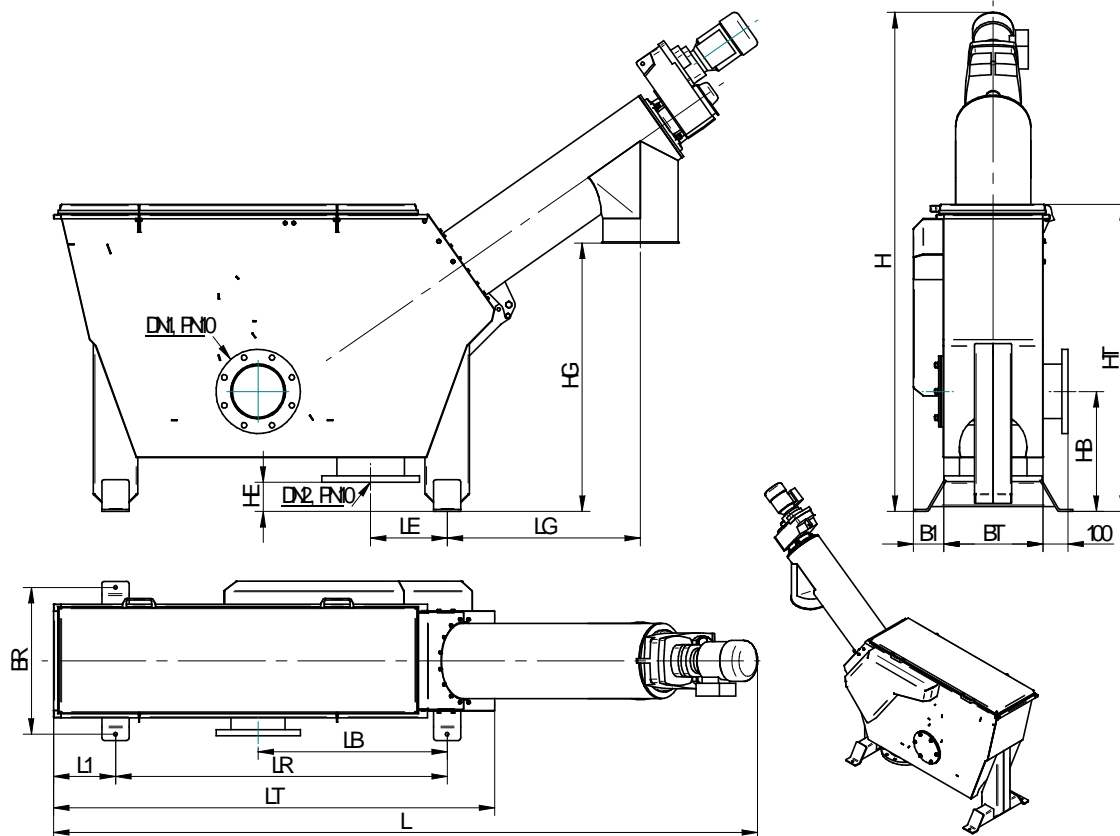


FINE LATTICE, "DR" TYPE, MACHINE CLEANED



Technical Data:

Type	Q [l/s]	Q [m ³ /h]	P [kW]	Nominal diameter	Filter fineness
DR-250	15	54	0,25	200 mm	Ø3, Ø5, hand lattice: 10mm
DR-275	25	90	0,25	200 mm	Ø3, Ø5, hand lattice: 10mm
DR-375	40	144	0,55	300 mm	Ø3, Ø5, hand lattice: 10mm
DR-3100	55	198	0,55	300 mm	Ø3, Ø5, hand lattice: 10mm

Sizes:

Type	DN1	DN2	HB	LB	HE	LE	HG	LG	H	L	HT	LT	BT	B1	LR	L1	BR
DR-250	100	150	615	570	348	225	1035	623	1794	2050	1190	1230	304	100	850	205	493
DR-275	150	200	485	899	173	310	1028	629	1812	2490	1190	1630	304	100	1200	240	493
DR-375	200	250	485	764	118	310	1086	781	2016	2843	1240	1780	404	120	1340	250	593
DR-3100	250	300	500	935	98	375	1230	856	2160	3284	1390	2230	404	140	1680	275	593